

Features

- The only portable powered speakers with legendary QSC amplifier power and reliability
- Power modules based on best-selling RMX series amplifier technology
- High continuous power: Subwoofers – 700 watts, full-range models up to 600 watts total amplifier power
- Attractive and professional appearance
- Rugged birch enclosures
- Tour-grade 16 gauge steel grilles
- Ergonomic handles with comfortable, non-slip grip
- 35 mm pole sockets (subwoofers and 2-way models)
- Subwoofer models include stereo crossover with outputs for powered satellite speakers
- M10 rigging points for suspended installation on models HPR122i, HPR152i and HPR153i



The HPR Series offers performers the power, technology and legendary reliability of QSC amplification combined with the simplicity and convenience of powered loudspeaker systems. Whether your application is vocal reinforcement, dance music or full-tilt rock and roll sound, there's an HPR speaker system for you.

Every HPR model is built around a high-power, reliable QSC power module using the same top-quality components and design standards as QSC RMX Series amplifiers. Thick aluminum heat sink extrusions with deep fins provide mechanical strength and plenty of surface area to keep the module running cool. While many powered speaker amplifier modules use low-cost "chip amps", the HPR Series features discrete component designs that deliver the best possible performance even when pushed to the limit. The power modules incorporate sophisticated signal processing functions carefully tailored to the loudspeaker system. Each amplifier channel includes its own limiting with the parameters individually optimized for the frequency band.

All HPR models are constructed of rugged birch. The speaker components are protected by a heavy 16 gauge perforated steel grille with a distinctive and professional appearance. A grille-mounted power LED may be disabled by means of a rear-panel switch when desired. The HPR122i, HPR152i and HPR153i also feature integrated M10 suspension points for installed applications.

The multipurpose HPR122i is equally at home as a stage monitor or main PA speaker. With available accessories, it may be pole or yoke mounted or flown in a vertical or horizontal orientation. A 12" low-frequency woofer with 3" voice coil is powered by 400 watts of Class H power. A neodymium magnet design provides ample motor strength for low end performance without adding unnecessary weight. The 1.4" diaphragm neodymium compression driver is powered by a 100 watt, Class AB+B amplifier and is loaded on a 75° conical horn. It's the same high-frequency driver you'll find on the HPR153F 3-way loudspeaker system. A total of 9 threaded M10 inserts allow for several different suspension options and use with an optional yoke mount.

The bi-amplified 15" 2-way HPR152i is a versatile speaker that is at home in nearly any sound reinforcement setting. A high-power low-frequency driver with a 3" voice coil provides extension down to 48 Hz. The 1.75" (diaphragm) compression driver on a 90° x 60° horn delivers smooth high frequencies up to 20 kHz. The power module includes a 100 Hz low-cut filter for use in subwoofer equipped systems. Three threaded M10 inserts allow for vertical suspension.

The HPR153i 3-way loudspeaker is a great choice when the warmth, clarity and projection of a horn-loaded mid-range design is desired. The 15" low-frequency driver provides extension down to 36 Hz while

the 6" mid-range driver seamlessly handles the critical vocal region. A 1.4" (diaphragm) compression driver delivers brilliant top end response. Three threaded M10 inserts allow for vertical suspension.

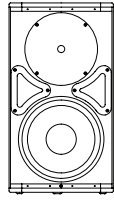
For high-level dance music or reinforcement of bass instruments and kick drum, an HPR Series subwoofer will add low-frequency extension and power to any sound system. Both HPR subwoofers use a 700 watt QSC amplifier. Flexible input signal processing and connectivity allow the subwoofers to be used in systems consisting of a single sub and two tops or larger systems employing multiple subwoofers. The signal processing complement includes a stereo electronic crossover with XLR line-level outputs for connection to any powered 2-way or 3-way mid/high speaker.

When the requirement is for compact size and tight, punchy low end, the single 15" HPR151i subwoofer is the answer. The HPR151i is capable of producing 133 dB peak SPL with frequency response down to 43 Hz and sound quality that rivals many 18" subwoofers. A top mounted 35mm pole socket is provided.

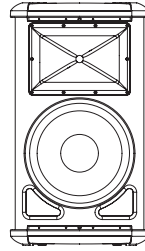
The HPR181i single 18" subwoofer offers truly impressive low-frequency extension and output. The 4" voice coil driver produces 134 dB SPL peak, at 1 meter with frequency response down to 39 Hz. The HPR181i also includes a top mounted 35mm pole socket and heavy-duty 3" casters to facilitate load-in and load-out.

HPR Series

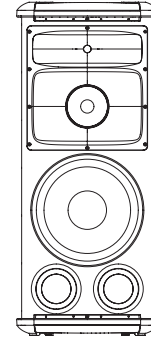
Loudspeaker Specifications



HPR122i



HPR152i



HPR153i

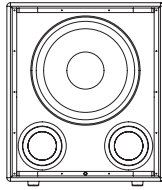
Configuration	12" 2-way multipurpose loudspeaker	15" 2-way full-range loudspeaker	15" 3-way full-range loudspeaker
Transducers			
Low-frequency	12" neodymium transducer with 3" voice coil	15" cone transducer with 3" voice coil	15" cone transducer with 3" voice coil
Mid-frequency			6.5" horn loaded mid-range
High-frequency	1.4" diaphragm neodymium compression driver	1.75" diaphragm compression driver	1.4" diaphragm neodymium compression driver
Frequency Response (-3 dB) ¹	62 Hz – 18 kHz	54 Hz – 17.5 kHz	41 Hz – 17.5 kHz
Frequency Range (-10 dB) ¹	53 Hz – 22 kHz	47 Hz – 20 kHz	36 Hz – 20 kHz
Nominal Coverage (-6 dB)	75° conical	90° x 60°	90° x 40°
Maximum SPL (1 meter)	131 dB peak	135 dB peak	134 dB peak
Amplifiers			
Power Output	400 W LF Class H 100 W HF Class AB+B	400 W LF Class H 100 W HF Class AB+B	400 W LF Class H 100 W MF Class AB+B 100 W HF Class AB+B
Input Impedance (Ω)	22k balanced / 11k unbalanced		
Controls	Gain • Low-cut filter (Main/Monitor) Front LED On/Off • Power • Circuit breaker	Gain • Low-cut filter • Front LED On/Off • Power • Circuit breaker	
Indicators	Power • Signal • Limit		
Cooling	Convection		
Amplifier Protection	Thermal and Output Limiting • Output Short Circuit • Overtemperature Muting • Driver DC Protection		
Current consumption at 120 VAC (1/8 power EIA noise)	1.5 A	1.5 A	1.8 A
Enclosure	Painted birch plywood		
Finish	Black textured paint		
Grille	Powder coated 16 gauge steel		
Suspension/Attachment Points	9 M10 rigging locations	3 M10 rigging locations	3 M10 rigging locations
Connectors	Balanced female XLR line level input • Balanced male XLR full range line level out		
Dimensions (HWD)	26.9" x 14.7" x 14.9" (683 mm x 373 mm x 379 mm)	33.6" x 19.1" x 17.9" (853 mm x 485 mm x 455 mm)	45.1" x 19.1" x 17.9" (1144 mm x 485 mm x 455 mm)
Weight (Net)	60 lb / 27.2 kg	100 lb / 45.5 kg	118 lb / 54 kg
Available Accessories <i>See descriptions below</i>	HPR COVER 122 • HPR POLE 31 HPR YOKE 122 • HPR M10 KIT • HPR SUS KIT 122	HPR COVER 152 • HPR POLE 26 HPR M10 KIT	HPR COVER 153 HPR M10 KIT

HPR POLE 26 – This 35 mm diameter speaker pole is 26 inches long and is designed for pole mounting the HPR152i on top of the HPR151i or HPR181i subwoofers. The HPR152i should not be mounted on a speaker pole longer than 26 inches when used with the HPR subwoofers.

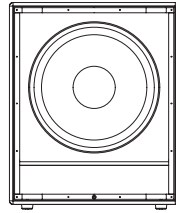
HPR POLE 31 – This 35 mm diameter speaker pole is 31 inches long and is designed for pole mounting the HPR122i on top of the HPR151i or HPR181i subwoofers. The HPR122i should not be mounted on a speaker pole longer than 31 inches when used with the HPR subwoofers.

HPR YOKE 122 – This steel yoke bracket is designed to mount the HPR122i vertically from a variety of structures while allowing tilt rotation. It is compatible with several different attachment methods and can be fitted with a third party speaker pole receptacle. It is not recommended to surface mount the HPR122i on a wall.

Subwoofer Specifications | Control Panels



HPR151i



HPR181i

Configuration	15" subwoofer	18" subwoofer
Transducer	15" cone transducer with 3" voice coil	18" cone transducer with 4" voice coil
Frequency Response (-3 dB) ¹	51 Hz – 105 Hz	45 Hz – 95 Hz
Frequency Range (-10 dB) ¹	43 Hz – 145 Hz	39 Hz – 145 Hz
Nominal Coverage (-6 dB)	N/A	N/A
Maximum SPL (1 meter)	133 dB peak	134 dB peak
Amplifiers		
Power Output	700 W Class H	700 W Class H
Input Impedance (Ω)	22k balanced / 11k unbalanced	
Controls	Gain • Low-cut filter • Front LED On/Off • Power • Circuit breaker • Polarity	
Indicators	Power • Signal • Limit	
Cooling	Convection	
Amplifier Protection	Thermal and Output Limiting • Output Short Circuit • Overtemperature Muting • Driver DC Protection	
Current consumption at 120 VAC (1/8 power EIA noise)	2.2 A	2.5 A
Enclosure	Painted birch plywood	
Finish	Black textured paint	
Grille	Powder coated 16 gauge steel	
Suspension/Attachment Points	N/A	N/A
Connectors	Balanced female XLR line level inputs x 2 (L+R) • Balanced male XLR full range line level through puts x 2 (L+R) • Male XLR low-cut line level outputs x 2 (L+R)	
Dimensions (HWD)	25.6" x 22" x 20.75" (651 mm x 559 mm x 525 mm)	28.6" x 23.5" x 22.9" (727 mm x 597 mm x 582 mm)
Weight (Net)	98 lb / 44.5 kg	127 lb / 57.6 kg
Available Accessories <i>See descriptions below</i>	HPR COVER 151 • HPR POLE 26 HPR POLE 31	HPR COVER 181 • HPR POLE 26 HPR POLE 31

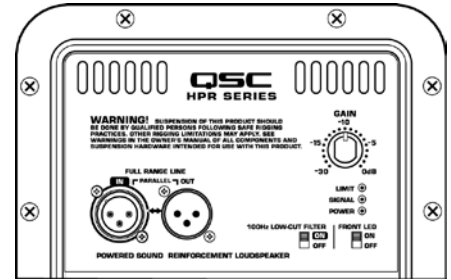
HPR M10 KIT – This kit features load-rated, forged shoulder, steel eyebolts (3) and is designed for vertical suspension of the HPR122i, HPR152i or HPR153i.

HPR SUS KIT 122 – This kit features load-rated, forged shoulder, steel eyebolts (3) and a solid aluminum pullback bar. It is required for horizontal suspension of the HPR122i.

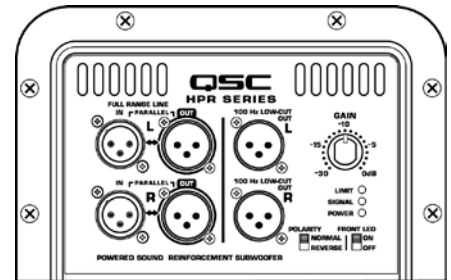
HPR COVERS (for all models) – Soft cover made with weather resistant, heavy-duty Nylon/Cordura® material. Oversize pocket to hold cables.

Specifications subject to change without notice.

HPR122i | HPR152i | HPR153i



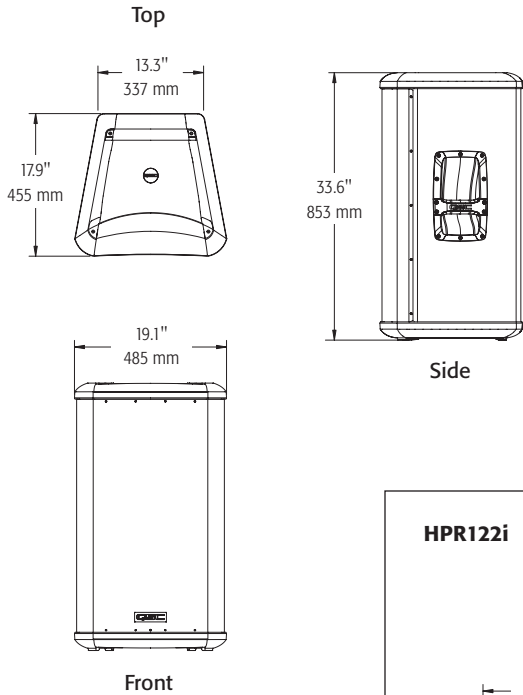
HPR151i | HPR181i



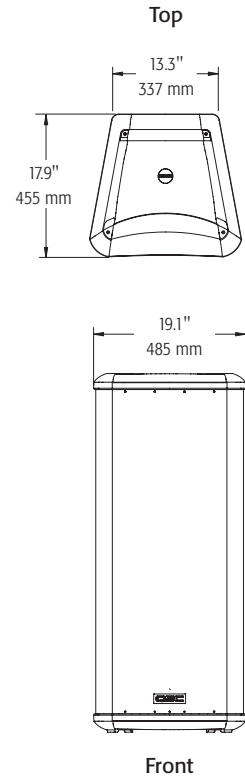
HPR Series

Dimensions

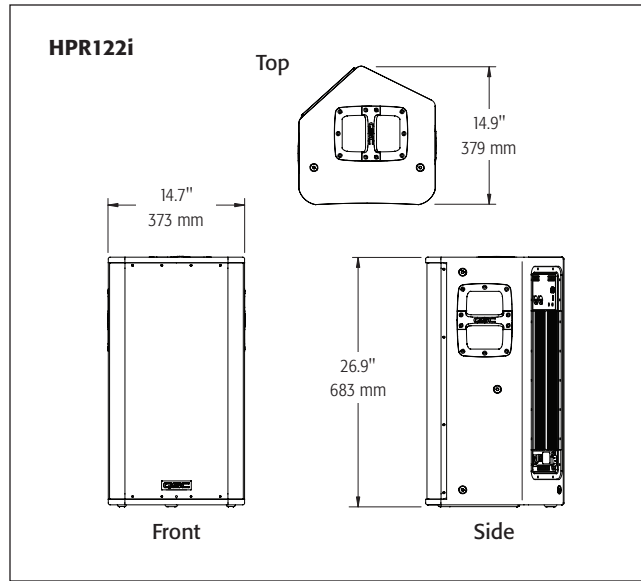
HPR152i



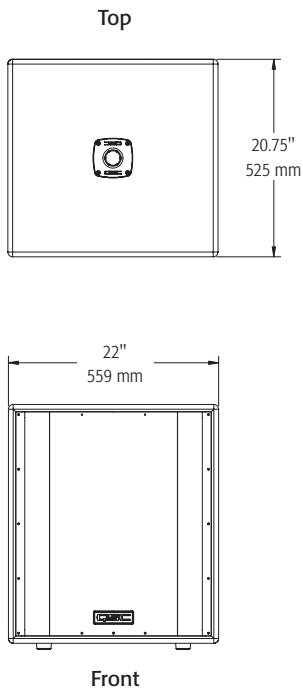
HPR153i



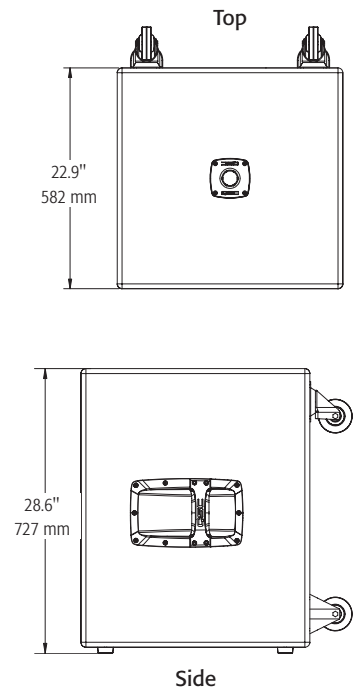
HPR122i



HPR151i



HPR181i



Specifications subject to change without notice.

QSC and the QSC logo are registered trademarks of QSC Audio Products, LLC in the U.S. Patent and Trademark office and other countries. Cordura is a registered trademark for durable fabrics. All other trademarks are the property of their respective owners. Patents may apply or be pending.

1675 MacArthur Boulevard • Costa Mesa, CA 92626 • Ph: 800/854-4079 or 714/957-7100 • Fax: 714/754-6174

HPR Spec Sheet 06/19/08

QSC
qscaudio.com